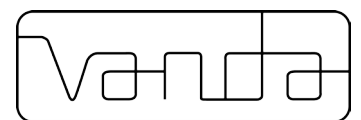




**MANUAL
CONTROL**

FOREST DS[®] *Design System*

Highly efficient hand drawn system for all types of medium and light weight draperies.
Quick installation with "Smart Klick" brackets for wall and ceiling applications.



FOREST DS[®]

THE WORLD
BEHIND
YOUR
CURTAINS



FOREST DS® - DESIGN SYSTEM

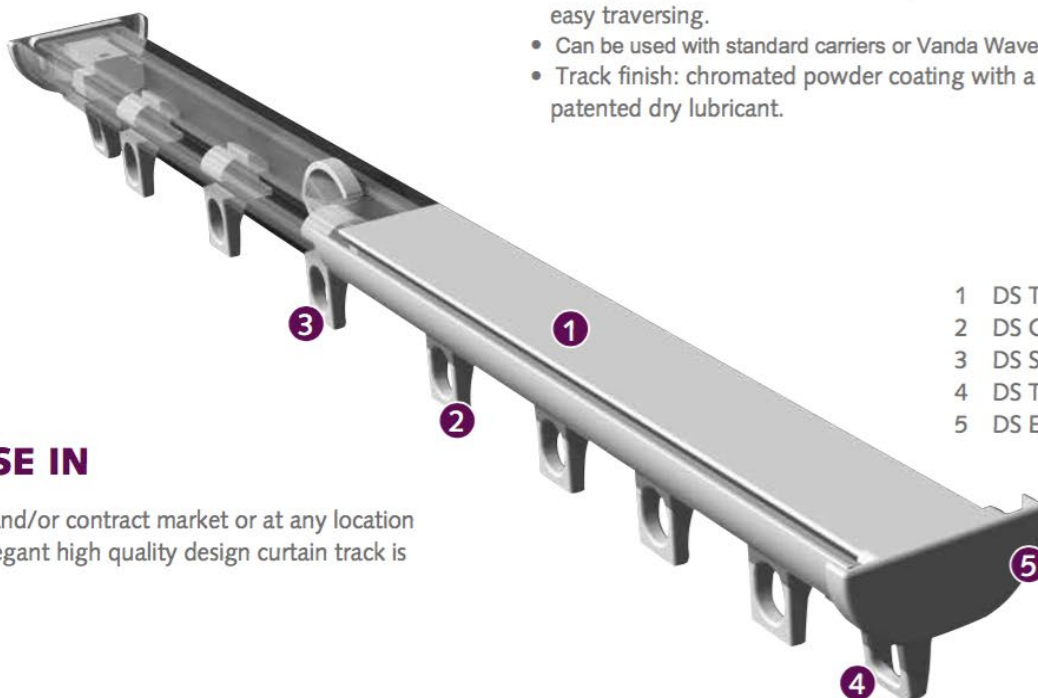


The DS® curtain track system is for fans of a sleek curtain track. This manually operated curtain track system fits into any stylish interior with an eye for design.

The DS® system has the same dimensions as the Klick System (KS®). This makes it possible to use all KS® assembly components (except the end caps). The height of the track is 11 mm and a “belly” has been created at the front so that the brackets can be mounted out of sight.

PRODUCT INFORMATION

- Elegant and aesthetically pleasing hand drawn track system.
- For all types of medium weight draperies (max.curtain weight 8kg per meter).
- Colours available: white, silver and black.
- Available in 6 meter lengths
- Bendable
- matching assembly components for white, silver and black.
- Invisible ceiling brackets to fix track flush to ceiling
- Quick installation with “Smart Klick” brackets for wall and ceiling applications.
- Same brackets as used with Klick System.
- Heavy duty clickable carriers - UV protected - for smooth and easy traversing.
- Can be used with standard carriers or Vanda Wave Heading
- Track finish: chromated powder coating with a factory applied patented dry lubricant.



- 1 DS Track
- 2 DS Carrier
- 3 DS Stop carrier
- 4 DS Twist end stop
- 5 DS End cap

FOR USE IN

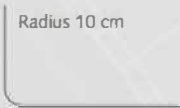
Residential and/or contract market or at any location where an elegant high quality design curtain track is required.

SPECIFICATIONS

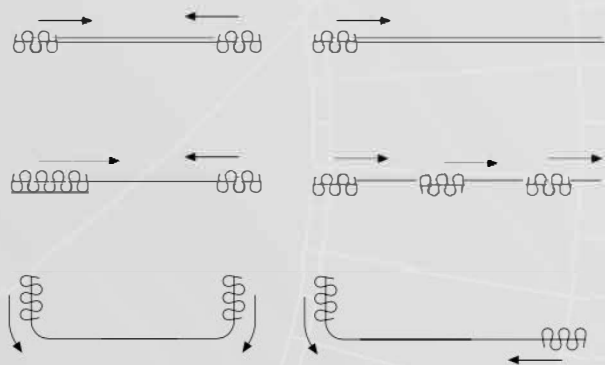
- Shown actual size 1:1
- Weight: 170 gr/meter
- Aluminium Extrusion
- Size: 11 x 24 mm
- Colours: white, silver, black



BENDING



APPLICATIONS



Clickable carrier



Clickable bracket

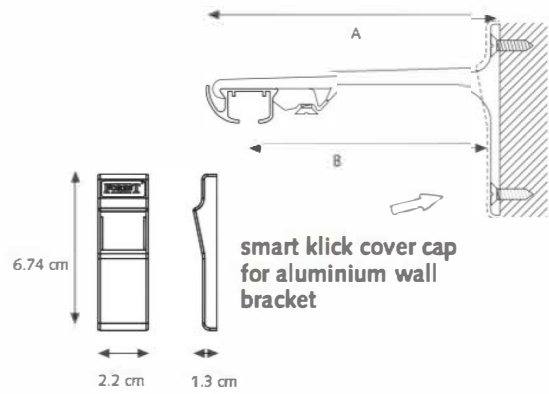
MOUNTING

Smart Click Top Fox Bracket



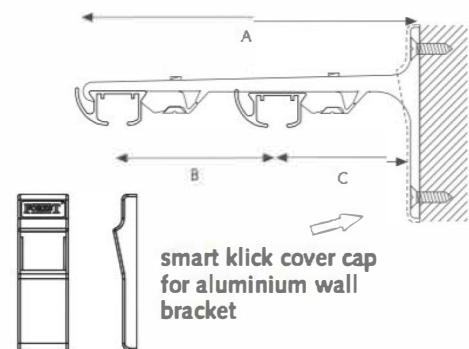
Smart Klick Aluminium wall bracket single

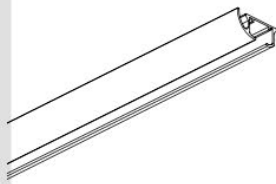
- A) 7,5 cm B) 6.3 cm



Smart Klick Aluminium wall bracket double

- A) 15 cm B) 9.2 cm C) 4.5 cm





DS TRACK
Aluminium extrusion, powder coated, lubricated.



KS AS CARRIER
"Klickable", offset, constructed of UV-resistant plastic.
14 carriers per meter supplied



KS STOPCARRIER
Prevents slide back, "klickable", constructed of UV-resistant plastic.



SMART CLICK TOP FIX BRACKET
Slides onto the track, powder coated. Regular duty.



SPRING CLIP TOP FIX BRACKET
"Klicks" onto track, powder coated.



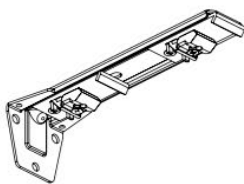
SPRING CLIP TOP FIX BRACKET WITH COVER PLATE



KS SMART KLICK WALL BRACKET 3,5 cm
"Klicks" onto track, powder coated.
One screw attachment. For light weight use only.



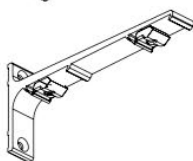
KS ADJUSTABLE WALL BRACKET, SINGLE
For light weight use only



KS ADJUSTABLE WALL BRACKET, DOUBLE
For light weight use only



KS SLIMLINE SINGLE BRACKET



KS SLIMLINE DOUBLE BRACKET



COVER CAP FOR KS SMART KLICK ALUMINIUM WALL BRACKET

